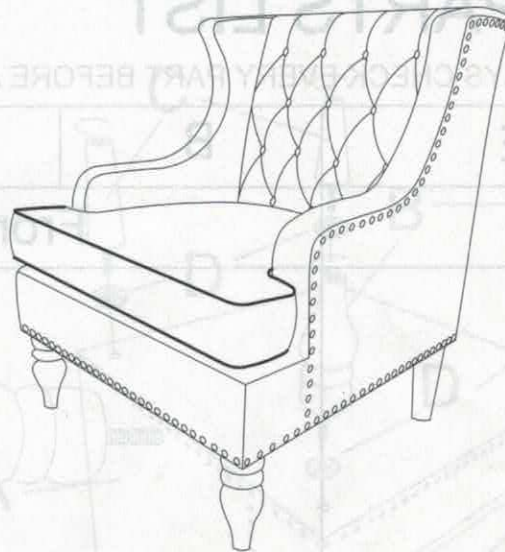


ALTON FURNITURE GROUP

A RENOWNED NAME
FURNISH A BETTER LIFE



CAUTION

Please do not return this item to the store where it was purchased

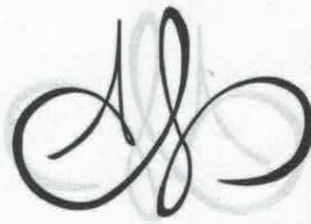
We appreciate your selection of our product. You can have confidence in this product that incorporates quality components. Please do not return this item to where it was purchased, if any question, please contact our Customer Service Department at 1-866-558-0211 between 8:30am-5:00pm(Pacific Time) Monday through Friday, or E-mail us at info@altonfurniture.com

Quality statement

AFG is appreciates your selection of this product, we know you had many other choices. Please pay attention that proper care and cleaning at home will extend the life of your purchase. Following these important and helpful tips will enhance your furniture as it ages.

Upholstered furniture care instructions

- Vacuum your upholstered furniture regularly. Small dust particles are very abrasive and can wear furniture prematurely.
- Blot spills immediately to prevent staining. If necessary, gently wipe away the spill using a soft, clean cloth dampened with lukewarm water. Allow to dry and brush lightly.
- Never use harsh chemicals or solvents on your upholstered furniture as this may damage the finish.
- Never use water to clean your furniture as it may cause damage to the finish.
- If you choose to use a professional product, pretest the fabric in an inconspicuous area for any signs of discoloration or shrinking.
- Marks and stains from pens, crayons and ink markers are difficult to remove. In the event that your furniture becomes permanently stained, we recommend that you consult a professional expert.

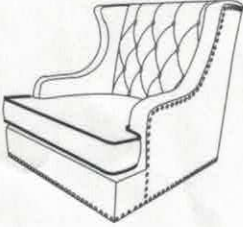
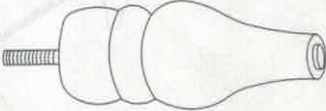
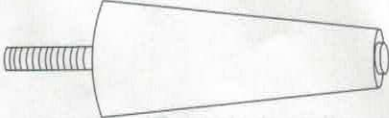
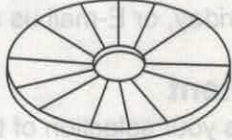


ALTON FURNITURE GROUP

A RENOWNED NAME
FURNISH A BETTER LIFE

PARTS LIST

PLEASE ALWAYS CHECK EVERY PART BEFORE ASSEMBLY

A	1 PCE	B	2PCS
Chair Body		Front Legs	
			
C	2PCS	D	4PCS
Back Legs		Washers	
			

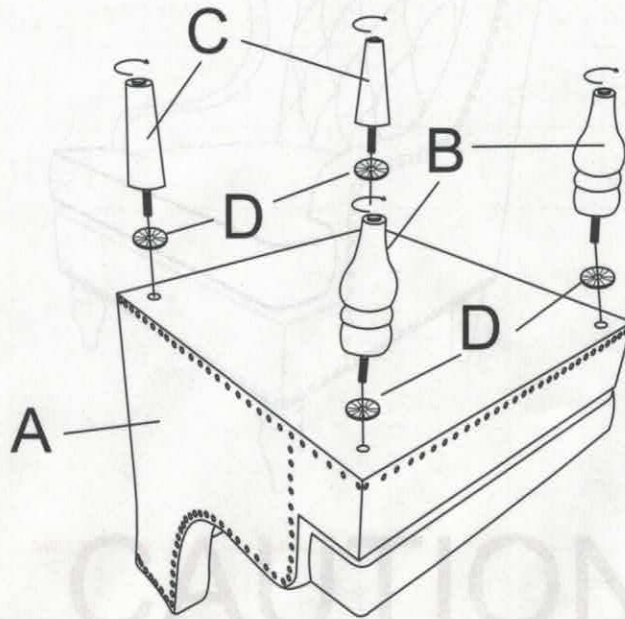


ITEM#: C12S

ALTON FURNITURE GROUP

A RENOWNED NAME
FURNISH A BETTER LIFE

Step 1:



Please do not return this item to the store where it was purchased.

We appreciate your selection of our product. You have chosen a unique item in this product that incorporates quality components. Please do not return this item to the store where it was purchased. If any question, please contact our Customer Service Department at 1-800-225-2252 (Monday through Friday, 8:30am-5:00pm Pacific Time) or E-mail us at info@altonfurniture.com.

Quality statement

AFG appreciates your selection of our product, we know you had many other choices. Please pay attention that proper care and cleaning of this will ensure the life of your purchase. Following these important instructions will ensure your furniture remains in good condition.

Upkeep of your furniture

- Vacuum your upholstery regularly with a small brush attachment. Abrasive and can wear furniture prematurely.
- But spills immediately to prevent staining. If necessary, gently wipe away the spill using a soft, clean cloth dampened with lukewarm water. Allow to dry and blot lightly.
- Never use chemicals or solvents on your upholstered furniture as this may damage the finish.
- Never use steam clean your furniture as it may cause damage to the finish.
- If you choose to use a professional product, protect the fabric in an inconspicuous area for any signs of discoloration or shrinking.
- Marks and stains from pens, crayons and ink markers are difficult to remove. In the event that your

There are adjustable levelers underneath each leg, please evenly adjust the chair.

